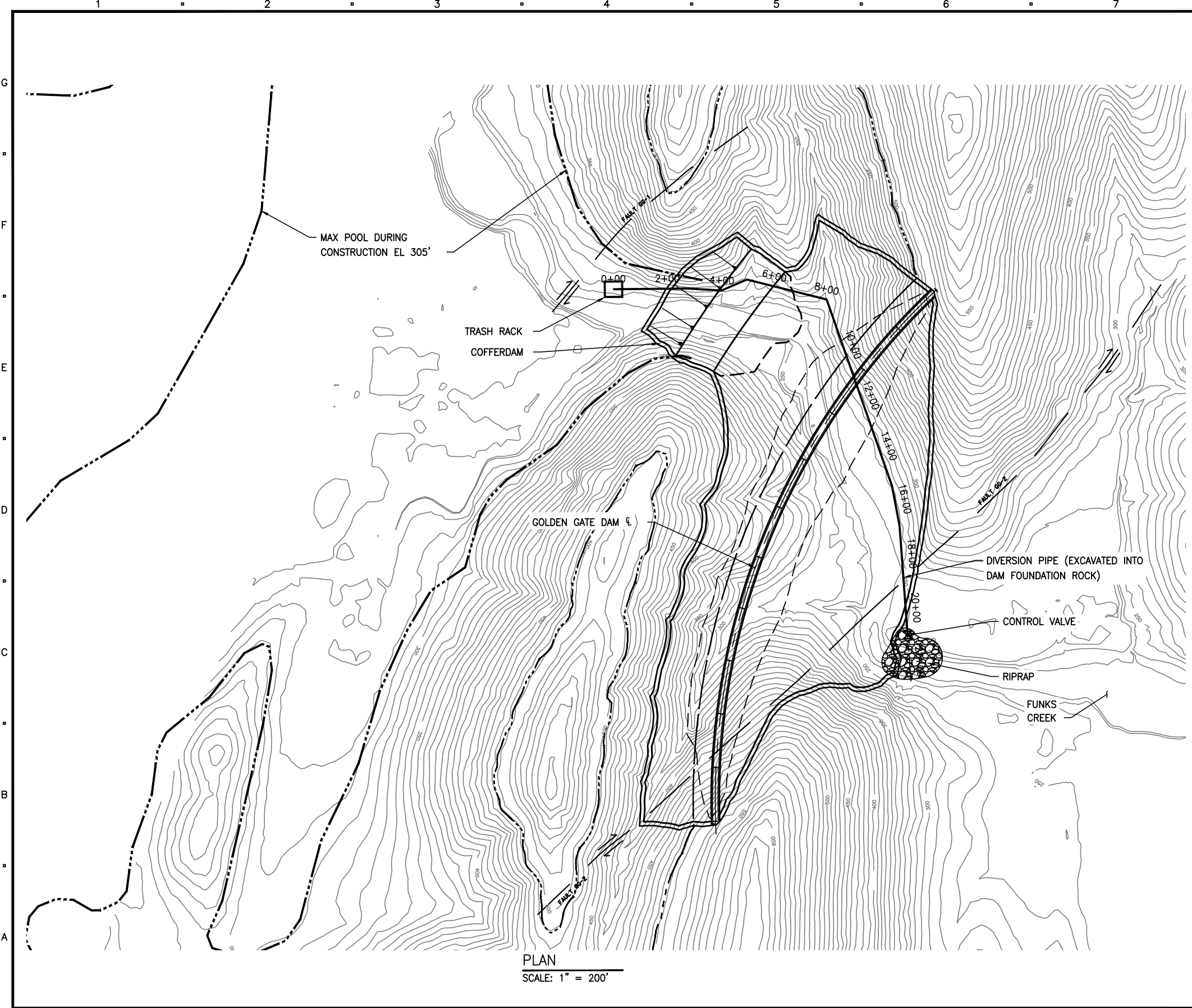
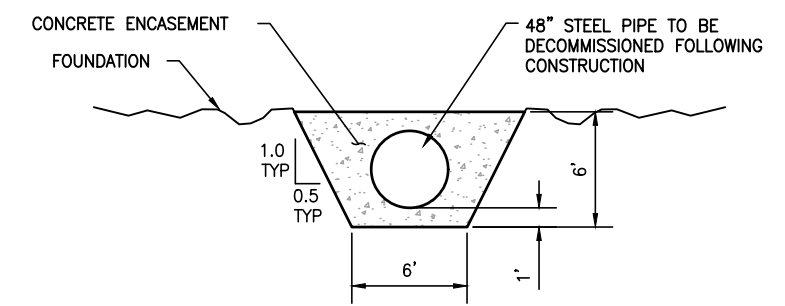


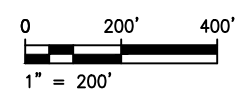
PLOTTED BY: ECLUSE, RION - August 18, 2020 - 3:44:42 PM
 DRAWING: pw:\ecomm-no-pw.bentley.com\AECOM_DS20_NA_2019\Documents\60632561-Sites Reservoir TO 1\900-CAD_GIS\910_CAD\20_SHEETS\STS-365-C-2601_60632561.dwg



NOTES:
 1. EMBANKMENT DAM OPTION 1B SHOWN. IF A HARDFILL DAM (OPTION 2) IS SELECTED THE DIVERSION/OUTLET WILL NOT BE NEEDED AS THE I/O WORKS WOULD BE CONSTRUCTED AS PART OF THE DAM



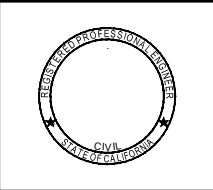
SECTION - GOLDEN GATE DAM BYPASS TRENCH
 SCALE: NTS



I/R	DATE	BY	CHK	APPR	DESCRIPTION

DESIGNED BY:	
DRAWN BY:	
CHECKED BY:	
IN CHARGE:	
DATE:	08/31/2020

AECOM
 2020 L Street, Suite 400
 Sacramento, CA 95811
 TEL: (916) 414-5800
 FAX: (916) 414-5850



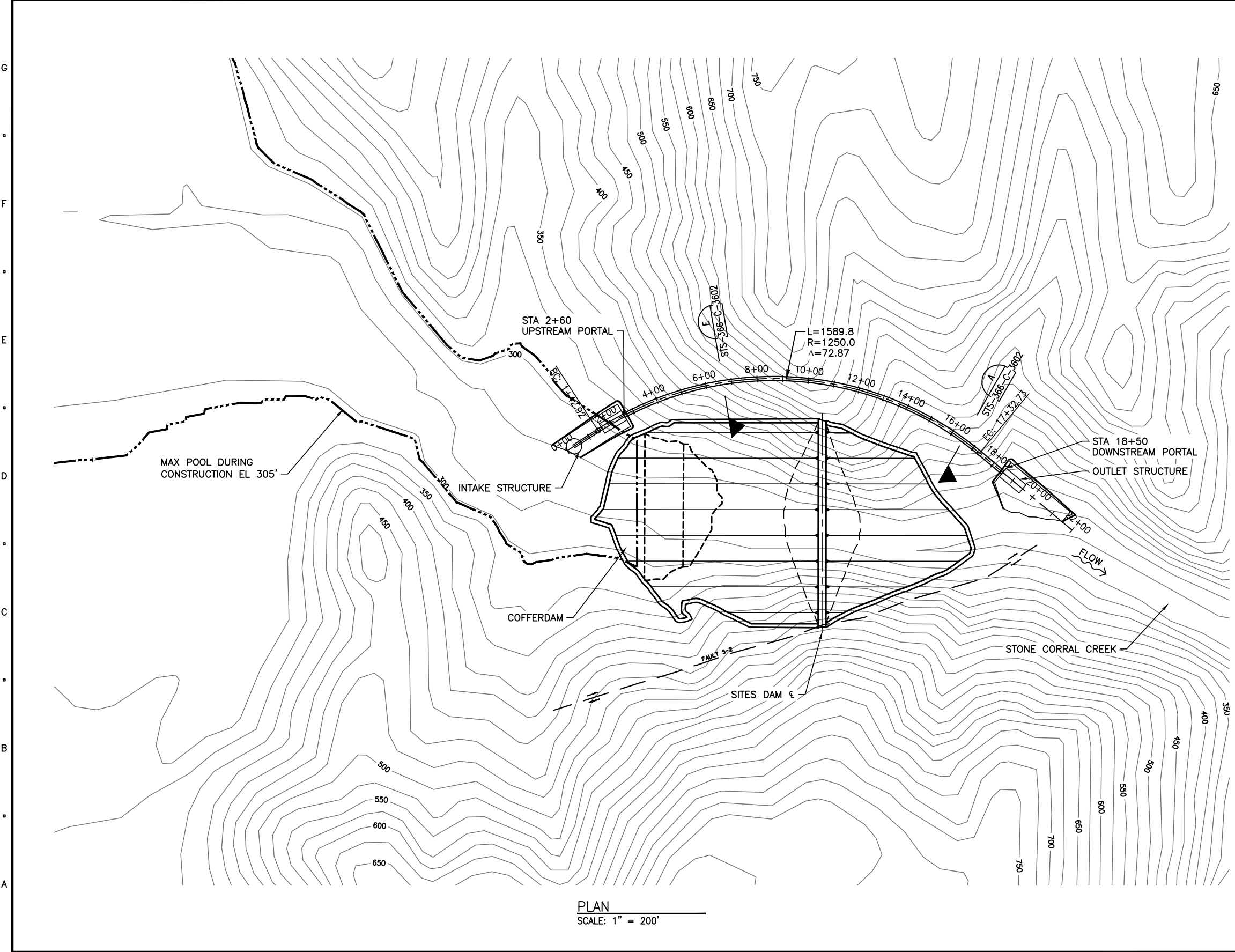
SITES RESERVOIR TO 1
 SITES RESERVOIR DIVERSION FACILITY
 GOLDEN GATE DAM
 BYPASS PIPE PLAN

VERIFY SCALES
 BAR IS ONE INCH ON ORIGINAL
 DRAWING. ADJUST SCALE FOR
 REDUCED PLOTS
 DRAWING NO.
 STS-365-C-2601

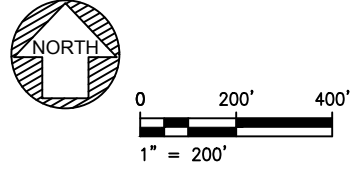
FINAL - PROJECT FEASIBILITY STUDY - NOT FOR CONSTRUCTION

NOTES:
 1. EMBANKMENT DAM OPTION 1B SHOWN. IF A HARDFILL DAM (OPTION 2) IS SELECTED THE DIVERSION/OUTLET WILL BE CONSTRUCTED THROUGH THE DAM

PLOTTED BY: ECLUSE, RION - August 18, 2020 - 3:44:42 PM
 DRAWING: pw:\ecocom-no-pw\benitoy.com\AECOM_DS20_NA_2019\Documents\60632561-Sites Reservoir TO 1\900-CAD_GIS\910_CAD\20_SHEETS\STS-366-C-2601_60632561.dwg



PLAN
 SCALE: 1" = 200'

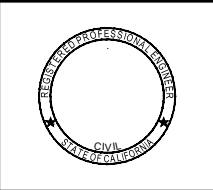


I/R	DATE	BY	CHK	APPR	DESCRIPTION

DESIGNED BY:	
DRAWN BY:	
CHECKED BY:	
IN CHARGE:	
DATE:	08/31/2020

AECOM

2020 L Street, Suite 400
 Sacramento, CA 95811
 TEL: (916) 414-5800
 FAX: (916) 414-5850



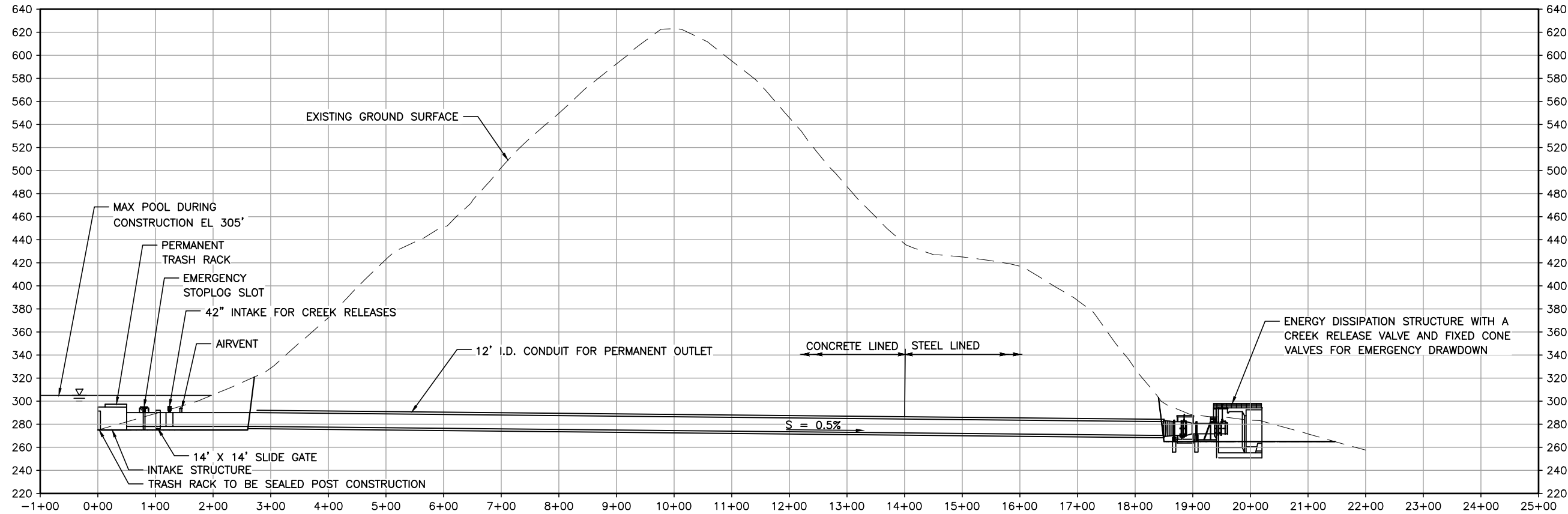
SITES RESERVOIR TO 1
 SITES RESERVOIR DIVERSION FACILITY
 SITES DAM
 CREEK DIVERSION TUNNEL PLAN

VERIFY SCALES
 BAR IS ONE INCH ON ORIGINAL
 DRAWING. ADJUST SCALE FOR
 REDUCED PLOTS

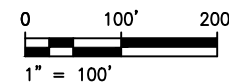
DRAWING NO.
 STS-366-C-2601

FINAL - PROJECT FEASIBILITY STUDY - NOT FOR CONSTRUCTION

G
 F
 E
 D
 C
 B
 A



DIVERSION/OUTLET TUNNEL PROFILE
 HORIZ SCALE: 1" = 100'
 VERT SCALE: 1" = 50'



PLOTTED BY: ECLUSE, RION - August 18, 2020 - 3:44:42 PM
 DRAWING: pw:\aecom-no-pw\benitoy.com\AECOM_DS20_NA_2019\Documents\60632561-Sites Reservoir TO 1\900-CAD_GIS\910_CAD\20_SHEETS\STS-366-C-3601_60632561.dwg

I/R	DATE	BY	CHK	APPR	DESCRIPTION

DESIGNED BY:	
DRAWN BY:	
CHECKED BY:	
IN CHARGE:	
DATE:	08/31/2020

AECOM
 2020 L Street, Suite 400
 Sacramento, CA 95811
 TEL: (916) 414-5800
 FAX: (916) 414-5850

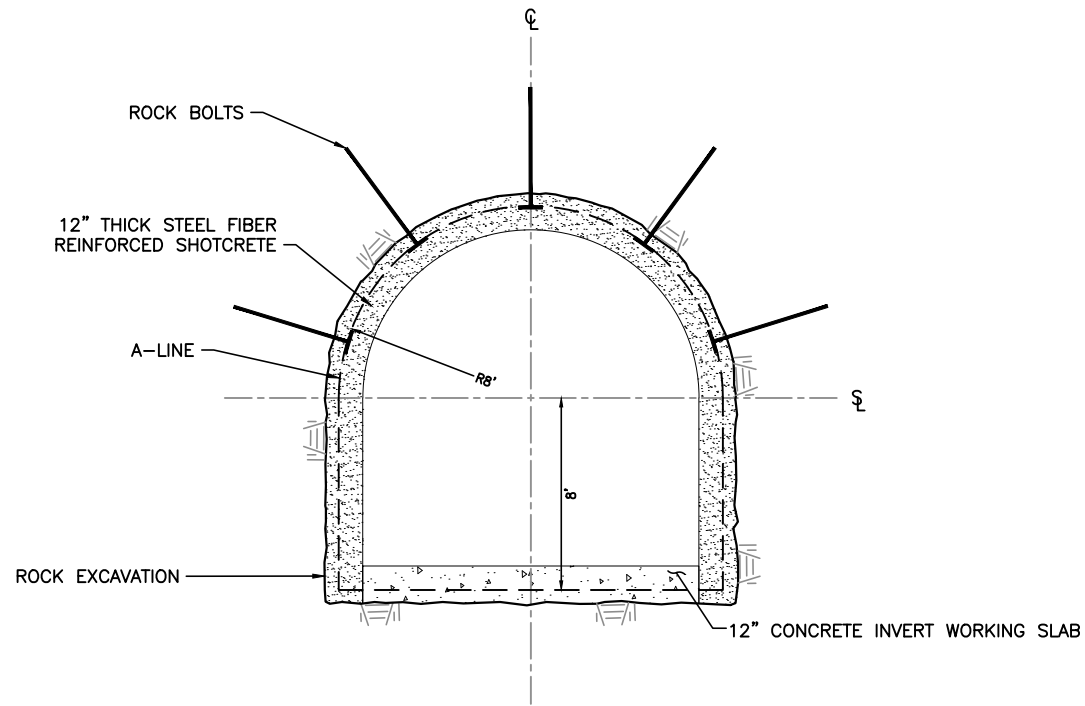


SITES RESERVOIR TO 1
 SITES RESERVOIR DIVERSION FACILITY
 SITES DAM
 CREEK DIVERSION TUNNEL PROFILE

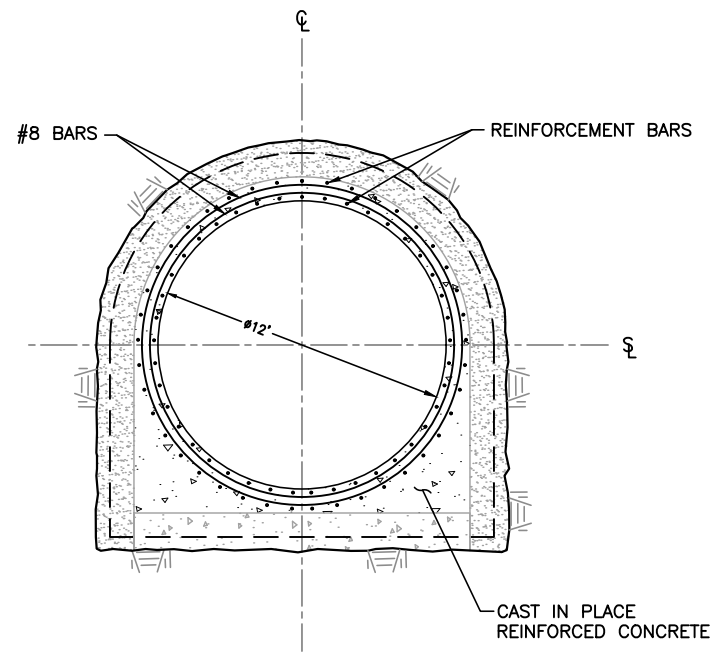
VERIFY SCALES
 BAR IS ONE INCH ON ORIGINAL
 DRAWING. ADJUST SCALE FOR
 REDUCED PLOTS
 DRAWING NO.
 STS-366-C-3601

FINAL - PROJECT FEASIBILITY STUDY - NOT FOR CONSTRUCTION

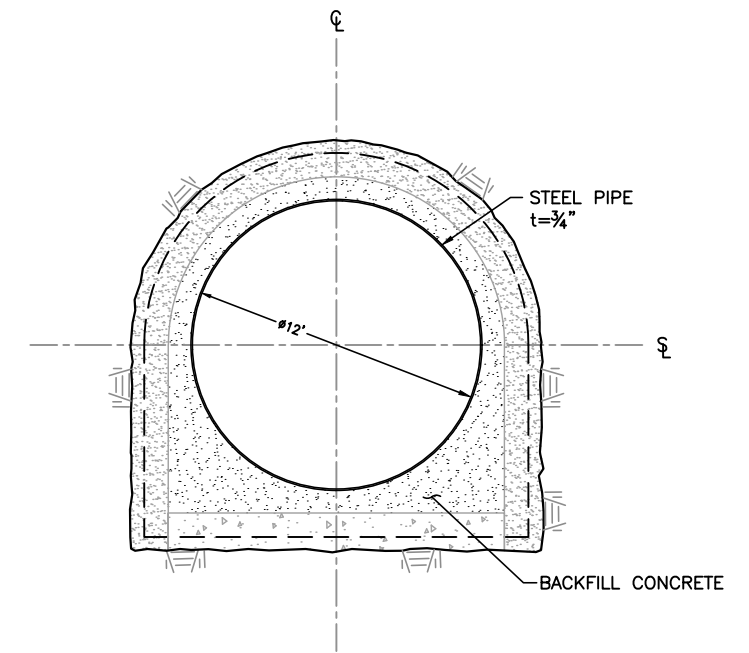
G
F
E
D
C
B
A



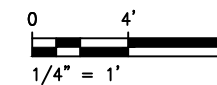
INITIAL SUPPORT
SCALE: 1/4" = 1'-0"



FINAL LINING - STA 2+60 TO 14+00
SCALE: 1/4" = 1'-0"



FINAL LINING - STA 14+00 TO 18+50
SCALE: 1/4" = 1'-0"



PLOTTED BY: ECLUSE, RION - August 18, 2020 - 3:44:42 PM
 DRAWING: pw:\aecom-no-pw\benitoy.com\AECOM_DS20_NA_2019\Documents\60632561-Sites Reservoir TO 1\900-CAD_GIS\910_CAD\20_SHEETS\STS-366-C-3602_60632561.dwg

I/R	DATE	BY	CHK	APPR	DESCRIPTION

DESIGNED BY:	
DRAWN BY:	
CHECKED BY:	
IN CHARGE:	
DATE:	08/31/2020

AECOM

2020 L Street, Suite 400
 Sacramento, CA 95811
 TEL: (916) 414-5800
 FAX: (916) 414-5850



SITES RESERVOIR TO 1
 SITES RESERVOIR DIVERSION FACILITY
 SITES DAM DIVERSION TUNNEL
 INITIAL SUPPORT AND FINAL LINING

VERIFY SCALES
 BAR IS ONE INCH ON ORIGINAL
 DRAWING. ADJUST SCALE FOR
 REDUCED PLOTS

DRAWING NO.
 STS-366-C-3602

FINAL - PROJECT FEASIBILITY STUDY - NOT FOR CONSTRUCTION